

SITE IMPROVEMENT REQUIREMENTS
 Pre-Building Permit Issuance
 Geotechnical Excavation and Grading Requirements
 for Lots with Retaining Walls – Rock Slopes – Drainage Problems
 Effective July 1, 2005

Contractor: _____ License No.: _____ Phone: _____

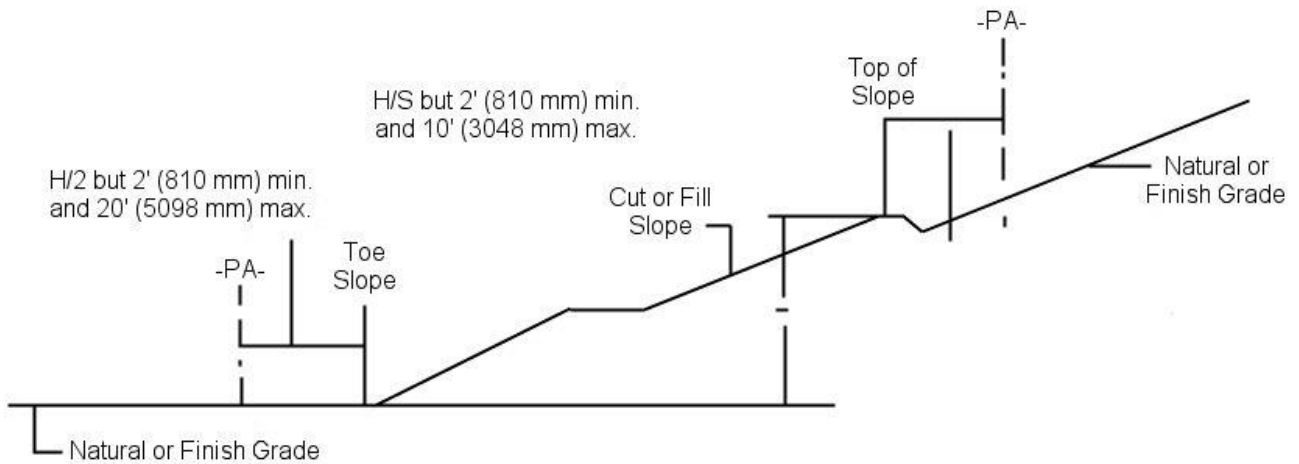
Subdivision: _____ Phase: _____ Lot: _____

Lot Address: _____ TAX ID No.: SC-_____

Owner: _____ Phone: _____

Soils Engineering Company providing
 Recommendations and verifying compliance: _____

Geotechnical report number or date: _____ By: _____



-Permit Area Boundary / Property Line

APPENDIX K of the “Utah Uniform Building Standard Act Rules”
 Figure A-33-1

2006 IRC Section R301. Soils/Geotechnical engineer shall be retained to provide excavation/grading recommendations, **including exterior retaining walls, drainage, and rock slopes,** and to verify compliance with zoning standards, and any recommendations made prior to issuance of building permit.

1704.9 Pier foundations. Special inspection is required for pier Foundations for buildings assigned to Seismic Design Category C, D, E, or F in accordance with Section 1616.3.

<p>Engineers W/S</p>
